



Start control thermostat with probe

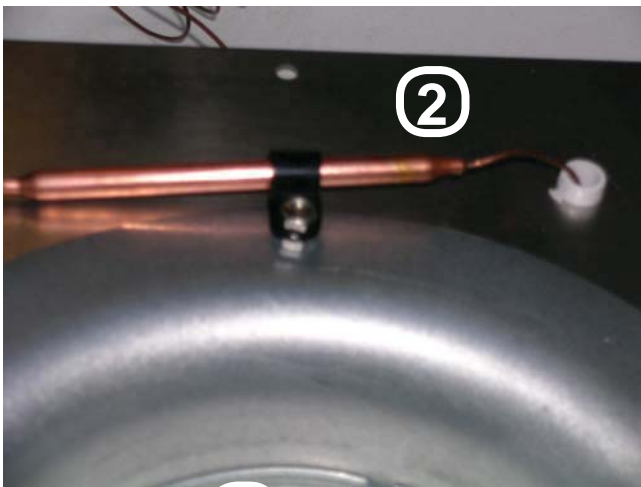


Starts the system when reaching the desired temperature inside the collector.

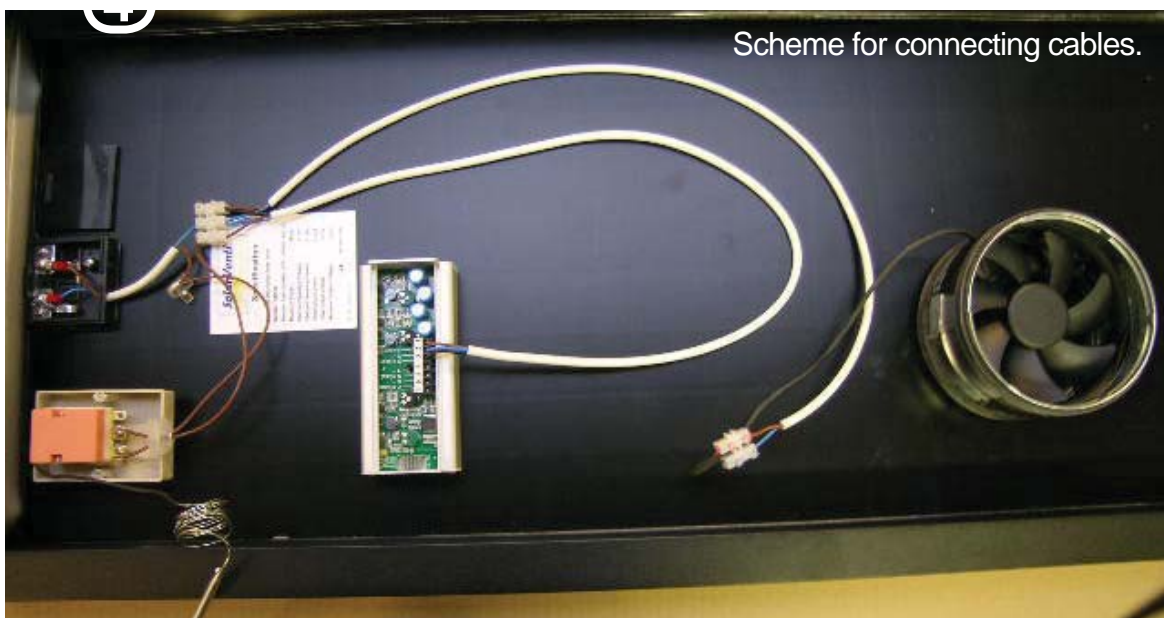
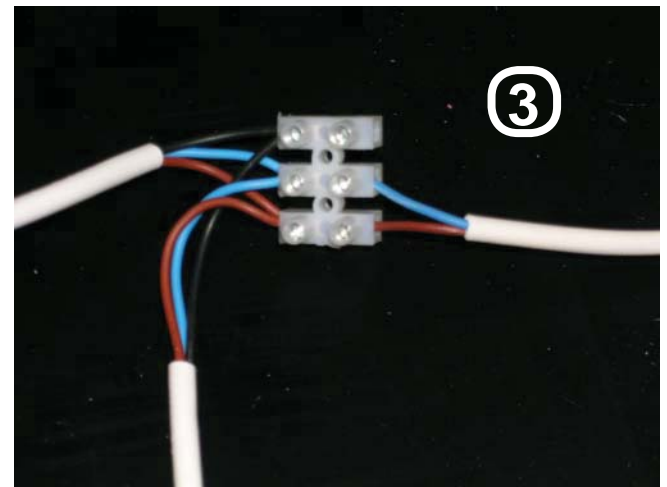
The junction box on the back of the solar cell is opened.

See also the diagram on the next page

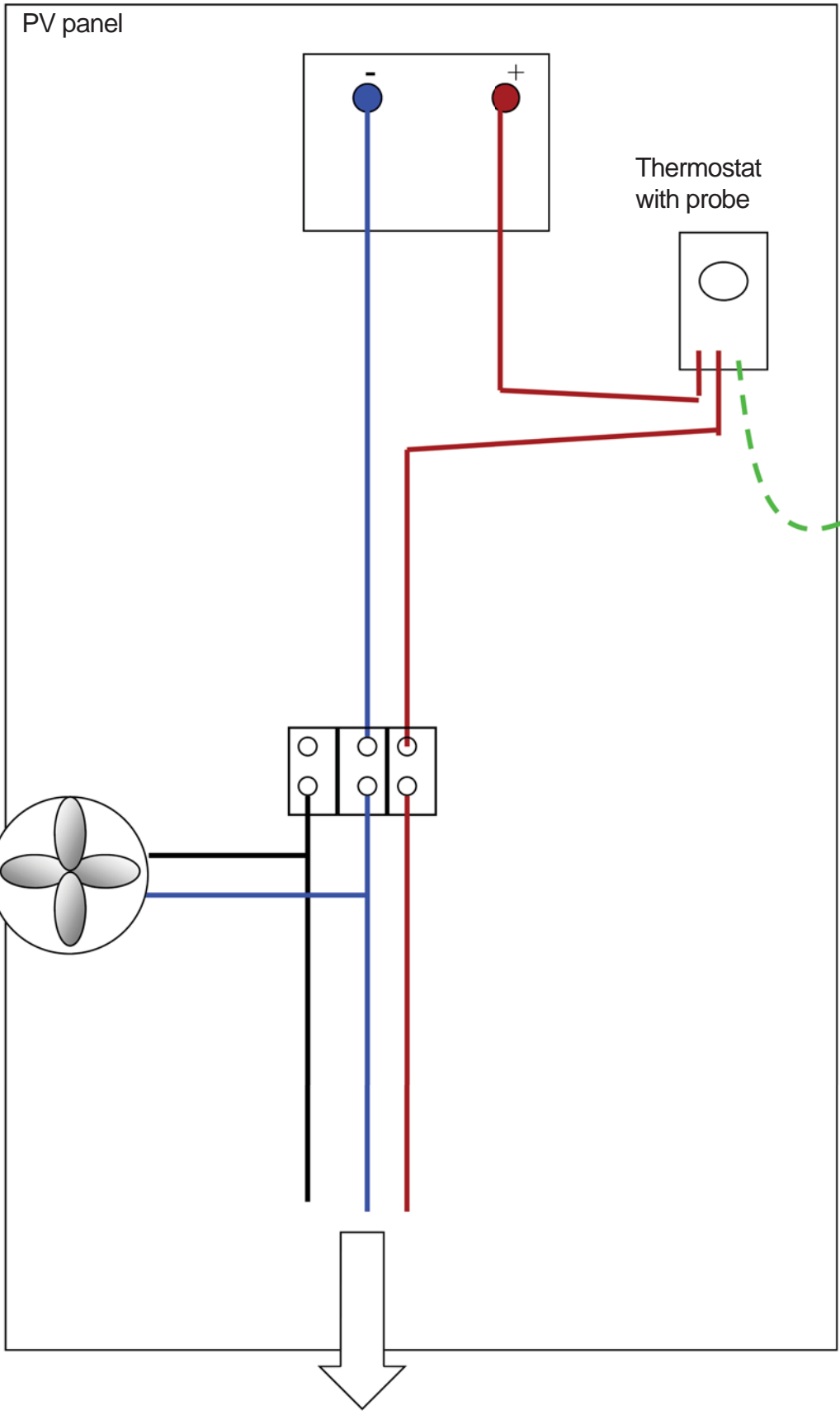
Insert the probe through the hole in the air outlet plate or along the side. Fasten on the inside. Then mount the plate to the panel, leaving the probe inside the panel.



All cables are joined by color



Scheme for connecting cables.



The probe is inserted along the Fan plate by the air outlet.
Photo 1

Connect to the regulator.
See mounting instructions.